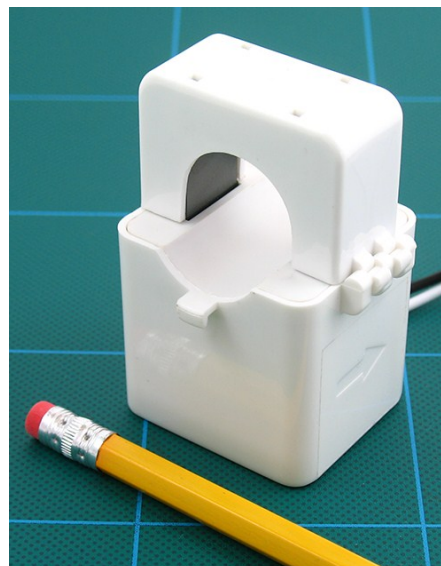


HIGH PERFORMANCE MIDI HINGED CURRENT TRANSFORMERS

200A



The hinged “Midi” CTs are high performance, medium amperage, hinged current transformers. Use for current measurement, energy metering, load surveys, demand metering, energy research, and submetering.





| KEY SPECIFICATIONS | |
|--------------------|--|
| Window Size | 25mm (1.0") |
| Current Range | 1 - 300 A AC |
| Output | 333 mV @ 200 A AC 1.67 mV/A AC |
| Ratio Error* | <1.0% from 1.0 A to 300 A AC (typical) |
| Phase Error* | <0.5° from 1.0 A to 300 A AC |

* For maximum performance, keep CT contact surfaces wiped clean and free of debris.

| ELECTRICAL | |
|-----------------|---|
| Output | 333 mV @ 200 A |
| Wire Polarity | White = Hi, positive (+) Black = Low, negative (-) |
| Phasing | Arrow On Case Points |
| Orientation | Toward Load |
| Frequency Range | 50 to 400 Hz |

| MECHANICAL | |
|-----------------------|---------------------------|
| Case Material | White Nylon, UL 94 V-0 |
| Leads | 2.4 M (8'), 600V, 22 gage |
| Operating Temperature | -15 to 60°C (5 to 140°F) |
| Storage Temperature | -20 to 85°C (-4 to 185°F) |

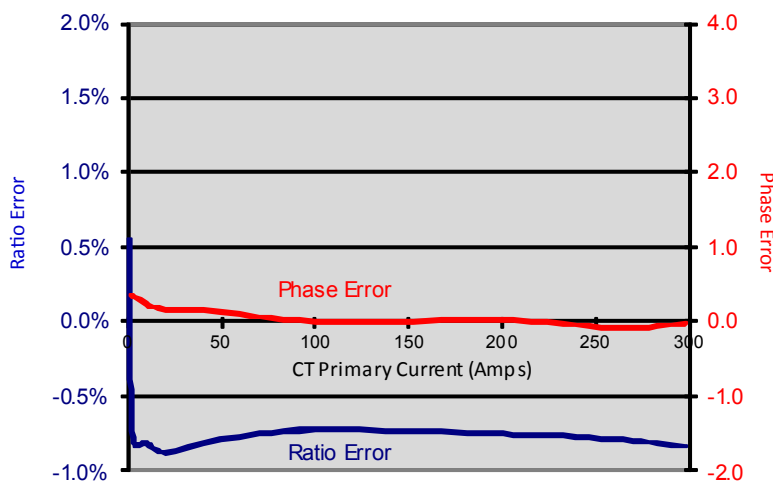
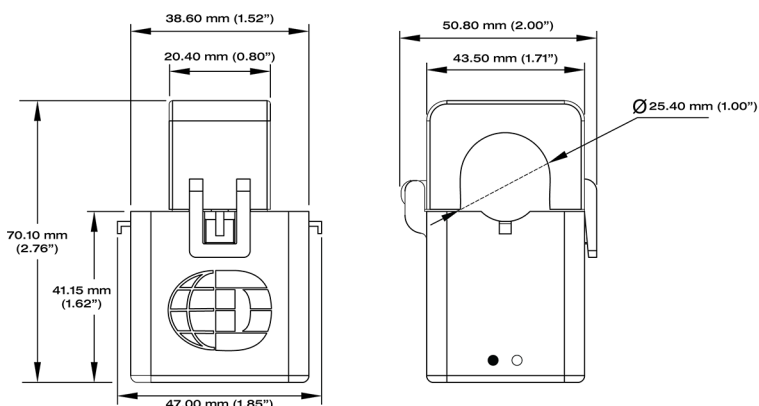
| SAFETY | |
|---------------------|--|
| Working Voltage | 600 VAC, Category III |
| Dielectric Strength | 5200 VAC for 1 minute |
| Safety Standards |   UL STD 61010-1 CAN/CSA STD C22.2 No. 61010-1 |

| PART NUMBERS | |
|---------------|-------------------------|
| CT-HMC-0200-U | Crimp ferrules on leads |
| CT-HMC-0200-B | With 4mm Banana Plugs |

CONTACT US

DENT Instruments, Inc.
Energy & Power Measurement Solutions

925 SW EMKAY DRIVE
BEND, OREGON 97702 USA
541.388.4774 | 800.388.0770
WWW.DENTINSTRUMENTS.COM



All specifications contained in this document are subject to change without notice.
© DENT INSTRUMENTS, INC.
rev 111711